

Cila Go

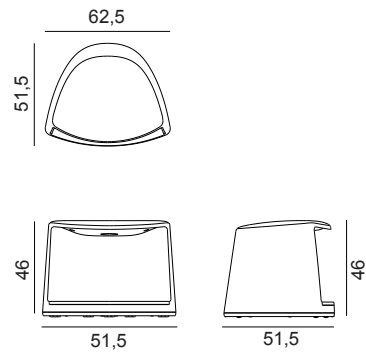
Design by Lievore Altherr, 2018

Art. 2300

Stool on polypropylene storage base, available in 4 colours, with castors and fitted with cushion applied to the seat in fabric, leather, coated fabric, or customer's material.



Dimensions *



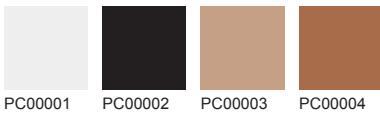
* File CAD 2D - 3D available for download at www.arper.com

Frame Base



Shell

Polypropylene



arper

www.arper.com

info@arper.com

Cila Go

Design by Lievore Altherr, 2018


Accessories:




Writing tablet 50x33,5 cm
Art. 2307

SHIPMENT DETAILS

Art.2300

1 pz = 2  - kg 14,36/ m³ 0,185

4 pz = 5  - kg 56,2/ m³ 0,743

RESISTANCE TEST

- TUV GS (EN16139)

ENVIRONMENTAL CERTIFICATIONS



TECHNICAL SPECIFICATIONS

Art.2300

COL requirement m² 0.756

H 140 cm. COM Meterage m 0.41

FIRE RETARDANT TEST

arper

www.arper.com
info@arper.com

www.arper.com